

Hub/Frame Assembly

1. Fit the hub into the front forkend and position the wheel centrally in the frame.
2. Select a suitable brake arm clip to clamp the brake arm loosely to the front fork. With the wheel centralized, tighten the axle nuts to a torque of **22 – 22.5 Nm**.
3. Tighten the brake arm clip firmly in this position to **2 Nm** torque.

Brake Cable Fitting**Closed End Cables**

1. Attach the cable to the handlebar brake lever.
2. Locate the brake adjusting spigot in the slot of the Brake arm.
3. Fit the cable nipple into the hub brake lever assembly.

Pinch Bolt

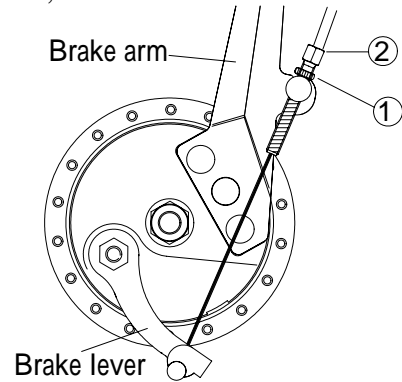
1. Attach the cable to the handlebar brake lever.
2. Locate brake adjusting spigot into slot on the brake arm. Push the cable inner wire through the hole in the pinch bolt nut and locate this into the cradle in the brake lever. Pull the inner wire through the pinch bolt until taut.
3. Set adjuster (2) so that there is approximately 5mm of thread showing above the locknut (1). (See Fig.).
4. Holding the brake lever in the 'brake on' position with the inner cable taut, hold the pinch bolt 'nut' on the inside of the brake arm with a spanner and tighten pinch bolt 'screw' on the outside arm (**2-3 Nm**).

Brake Adjustment

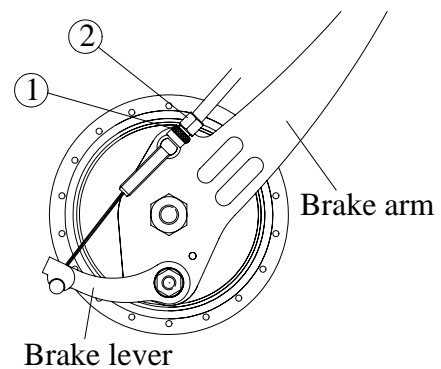
1. Slacken the brake adjuster locknut (1).
2. Turn the adjuster (2) until the brake is applied.
3. Slacken the adjuster until the wheel can just be turned freely.
4. Tighten the locknut (1).

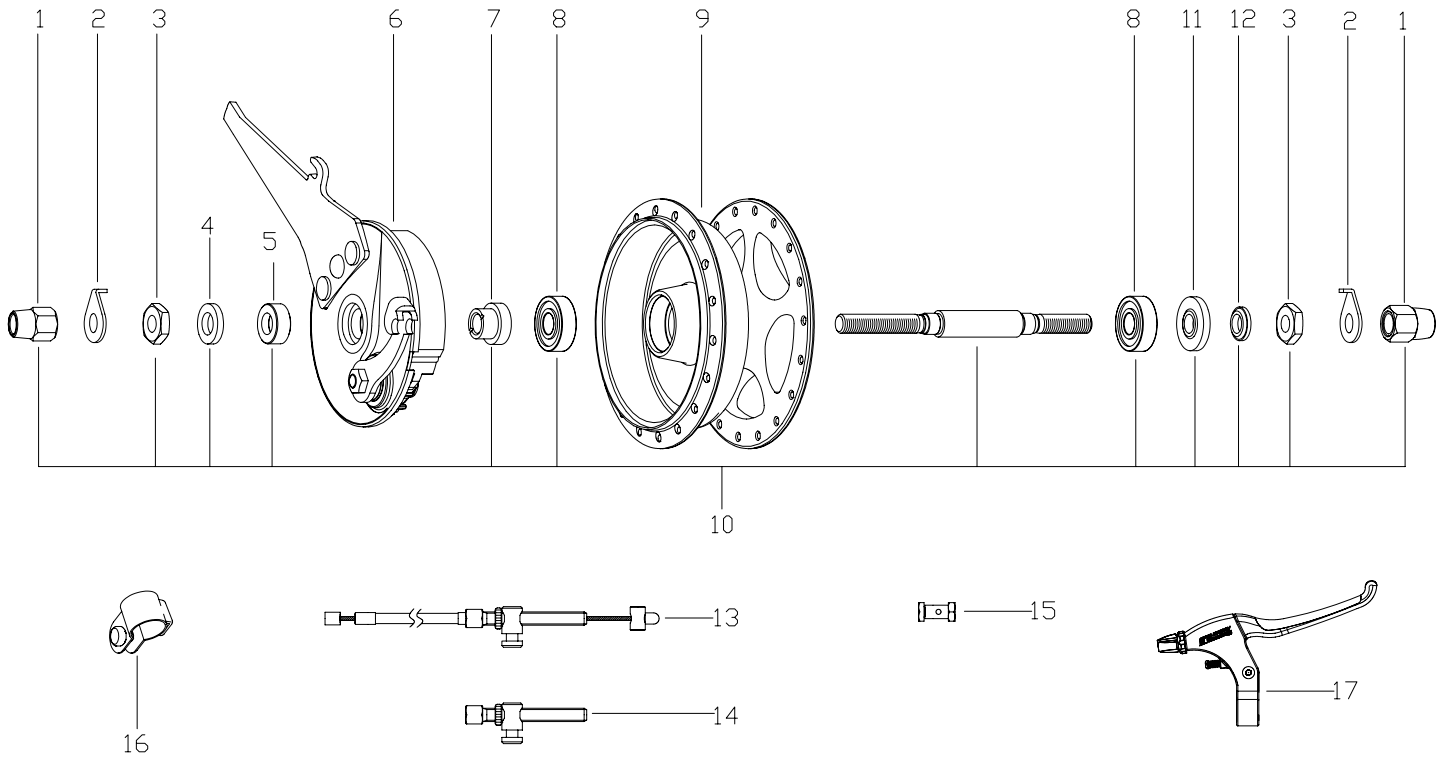
N.B. To maintain maximum braking efficiency avoids sharp bends and kinks in the cable.

XL-FD, X-FD, SBF



BF





Item Sales			Item Sales			Item Sales		
No.	No.	Description	No.	No.	Description	No.	No.	Description
1	HMN 386	Dome Nut M9	9	HSB 534	XL-FD Hub Shell	15	HSK 715	Pinch Bolt
2	HMW 528	Safety Washer	10	HSB 396	Replacement Axle Unit	16	HSL 702	Brake Arm Clip 17.5mm
3	HMN 377	Locknut M9, t=4.7, hex 17			includes hub bearings and items 1, 3, 4, 5, 7, 11, 12	17	HSL 703	Brake Arm Clip 22.2mm
4	HMW 129	Spacing Washer 1/8"	11	HSA 398	Spacer 4.7mm		HSK 742	Brake Lever BLS80 RH
5	HSA 372	Brake Plate Spacer	12	HSA 376	Spacer 3.2mm		HSK 743	Brake Lever BLS80 LH
6	HSB 525	90mm Alloy Front Brake Plate Assy.	13	HSK 730	Brake Cable Complete 900mm			
7	HSA 373	Brake Plate Bush	14	HSB 422	Brake Adjuster Assy.			
8	HSS 034	Bearing 6000ZZ						